



TB-147  
Reg.D.No.288189

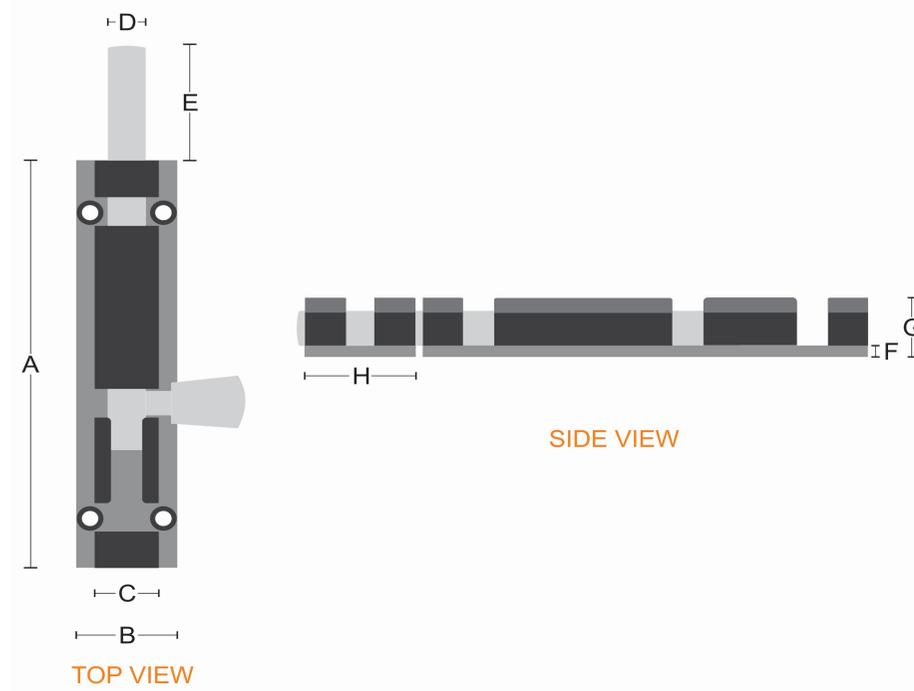
**BRASS Reg.D.No.288189**

<b>TB-147 MEXX TOWER BOLT 10mm</b>		
CODE	SIZE IN INCH	SIZE IN MILLIMETER
TB14701	4"	100
TB14702	6"	150
TB14703	8"	200
TB14704	10"	250
TB14705	12"	300
TB14706	15"	375
TB14707	18"	450
TB14708	24"	600
TB14709	30"	750
TB14710	36"	900

**AVAILABLE IN FINISHES:**

**PBU | PBL | SSF | BLA | BRA | SL | BO | GRA | CA | BOM | ATM | CP | BG | MG | PL | CAM | RG | PVR | PVG | SC**

**Detailed Specification**



**TB-147 MEXX TOWER BOLT 10mm**

CODE	A TB LENGHT	B W/OPEN	C BARREL WIDTH	D ROD DIAMETE R	E ROD THROW	F plate thickness	G TOTAL PROJECT ION	H CRAMP LENGHT	SCREW SIZE	NO. OF HOLES
TB14701	100	22.7	14.4	10	28.5	2.8	14.5	25	19x4	6
TB14702	150	22.7	14.4	10	28.5	2.8	14.5	25	19x4	6
TB14703	200	22.7	14.4	10	28.5	2.8	14.5	25	19x4	6
TB14704	250	22.7	14.4	10	28.5	2.8	14.5	25	19x4	8
TB14705	300	22.7	14.4	10	28.5	2.8	14.5	25	19x5	8
TB14706	375	22.7	14.4	10	28.5	2.8	14.5	25	19x5	8
TB14707	450	22.7	14.4	10	28.5	2.8	14.5	25	19x5	8
TB14708	600	22.7	14.4	10	28.5	2.8	14.5	25	19x5	8
TB14709	750	22.7	14.4	10	28.5	2.8	14.5	25	19x5	8
TB14710	900	22.7	14.4	10	28.5	2.8	14.5	25	19x5	8

\*All specifications are in Millimeter.

\*Rashi Products reserves the right to change the size & specification of it's products without prior notice.